

PRIBOR

ŠKOPCI

ŠKOPAC DIN 82101

Materijal: Visokootporni čelik
Završna obrada: Prirodna boja ili cinčani
Faktor sigurnosti: 4xNosivost



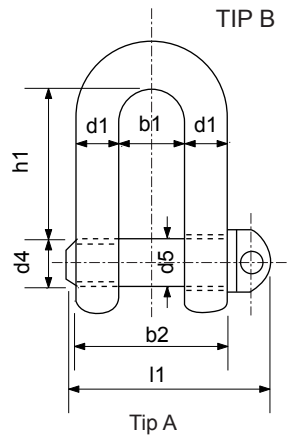
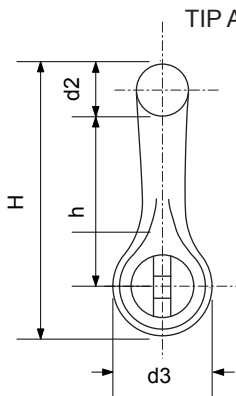
TIP A



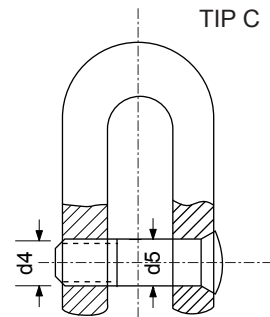
TIP B



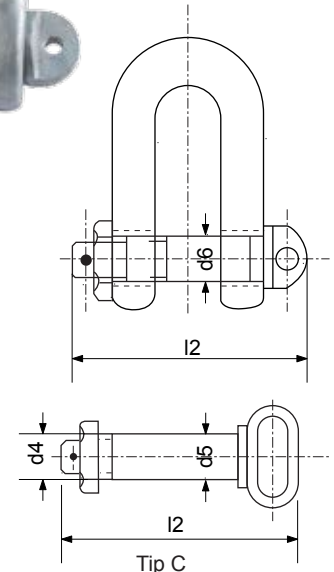
TIP C



Tip A



Tip B



Tip C

PRIBOR

Šifra	Nominalna veličina			Nosivost		Dimenzije (mm)														Težina		
	A	B	C	t	kN*	b1	b2	d1	d2	d3	d4	d5	d6	H	h1	h	l1	l2	A	B	C	
21601	0.1	-	-	0.1	1	7	15	4	5	10	M5	5	5.3-0.1	28	15.5	18	24	-	0.013	-	-	
21602	0.16	-	-	0.16	1.6	8	18	5	6	12	M6	6	6.4-0.1	33	18	21	28	-	0.024	-	-	
21603	0.25	-	-	0.25	2.5	11	25	7	8	16	M8	8	8.4-0.2	44	24	28	38	-	0.045	-	-	
21604	0.4	0.4	0.4	0.4	4.0	14	31	8	10	20	M10	10	10.5-0.3	55	30	35	45	58	0.090	0.085	0.100	
21605	0.6	0.6	0.6	0.63	6.3	17	39	10	12	24	M12	12	13-0.5	66	36	42	53	66	0.178	0.165	0.180	
21606	1	1	1	1	10	21	49	13	15	32	M16	16	17-0.5	88	49	57	64	80	0.360	0.340	0.390	
21607	1.6	1.6	1.6	1.6	16	27	63	17	19	40	M20	20	21-0.5	110	61	71	85	100	0.750	0.720	0.800	
21608	2	2	2	2	20	30	70	19	21	44	M22	22	23-0.5	121	67	78	93	110	1.000	0.960	1.080	
21609	2.5	2.5	2.5	2.5	25	33	78	21	23	48	M24	24	25-0.5	132	73	85	103	122	1.320	1.250	1.400	
21610	3	3	3	3.15	31.5	33	90	24	26	64	M27	27	23-0.5	150	83.5	97	120	140	1.850	1.750	2.000	
21611	4	4	4	4	40	42	100	27	29	60	M30	30	31-0.5	165	91	106	130	150	2.500	2.400	2.700	
21612	5	5	5	5	50	47	111	30	33	72	M36	36	37-0.5	198	111	129	144	172	4.000	3.800	4.300	
21613	6	6	6	6.3	63	53	126	34	37	78	M39	39	40-0.5	215	119.5	139	160	190	5.400	5.200	5.800	
21614	8	8	8	8	80	60	142	38	41	90	M45	45	46-0.5	248	139.5	162	182	217	7.900	7.600	8.500	
21615	10	10	10	10	100	66	155	42	45	96	M48	48	50-1	264	147	171	200	235	10.00	9.700	10.800	
21616	12	12	12	12.5	125	73	173	47	50	104	M52	52	54-1	286	158	184	216	254	13.500	13.000	14.000	
21617	16	16	16	16	160	81	193	52	55	120	M60	60	62-1	330	185	215	245	285	19.200	19.100	20.500	
21618	20	20	20	20	200	90	214	58	61	136	M68	68	70-1	374	211	245	270	311	28.000	27.500	29.500	
21619	25	-	25	25	250	100	226	63	67	144	M72	72	74-1	396	221	257	324	371	34.000	-	36.000	