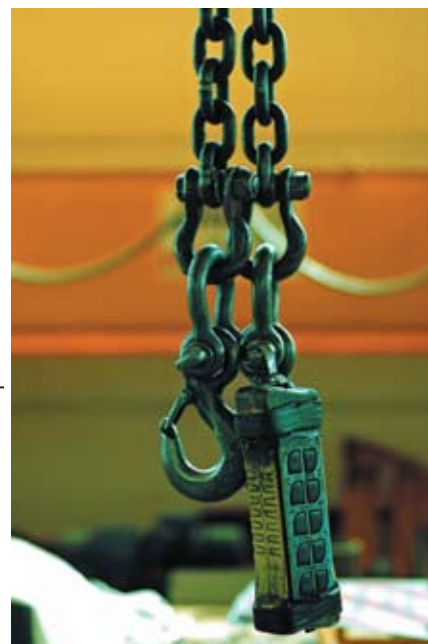
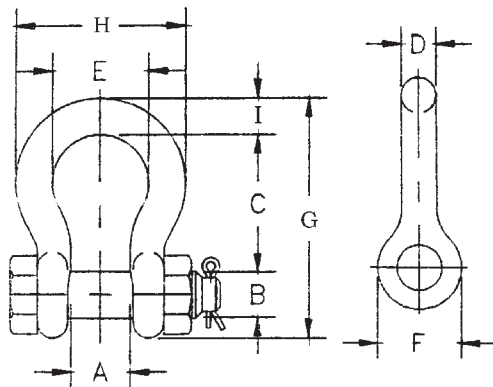


### ŠKOPAC TRBUŠASTI SA MATICOM VISOKOOTPORN I G2130 S2130



FAKTOR SIGURNOSTI 6:1



Oznaka utisnuta

Škopac visokootporni je proizveden prema  
US Federal Specification RR-C-271  
Tip IVA. Kvaliteta A. Klasa 3.  
Vruće cinčan

Šifra	Veličina		Dimenzije (mm)									Težina kom. (kg)
	(in.)	Nosivost (t)	A	B	C	D	E	F	G	H	I	
21201	3/16	1/3	9.65	6.35	22.4	4.85	15.2	14.2	37.2	24.9	4.85	0.03
21202	1/4	1/2	11.9	7.85	28.7	6.35	19.8	15.5	46.7	32.5	6.35	0.05
21203	5/16	3/4	13.5	9.65	31.0	7.85	21.3	19.1	53.0	37.3	7.85	0.10
21204	3/8	1	16.8	11.2	36.6	9.65	26.2	23.1	63.0	45.2	9.65	0.15
21205	7/16	1-1/2	19.1	12.7	42.9	11.2	29.5	26.9	74.0	51.5	11.2	0.22
21206	1/2	2	20.6	16.0	47.8	12.7	33.3	30.2	83.5	58.5	12.7	0.36
21207	5/8	3-1/4	26.9	19.1	60.5	16.0	42.9	38.1	106	74.5	17.5	0.76
21208	3/4	4-3/4	31.8	22.4	71.5	19.1	51.0	46.0	126	89.0	20.6	1.23
21209	7/8	6-1/2	36.6	25.4	84.0	22.4	58.0	53.0	148	102	24.6	1.79
21210	1	8-1/2	42.9	28.7	95.5	25.4	68.5	60.5	167	119	26.9	2.57
21211	1-1/8	9-1/2	46.0	31.8	108	28.7	74.0	68.5	190	131	31.8	3.75
21212	1-1/4	12	51.5	35.1	119	31.8	82.5	76.0	210	146	35.1	5.31
21213	1-3/8	13-1/2	57.0	38.1	133	35.1	92.0	84.0	233	162	38.1	7.18
21214	1-1/2	17	60.5	41.4	146	38.1	98.5	92.0	254	175	41.1	9.43
21215	1-3/4	25	73.0	51.0	178	44.5	127	106	313	225	57.0	15.4
21216	2	35	82.5	57.0	197	51.0	146	122	348	253	61.0	23.7
21216A	2 -1/4	42.5	95	65	220	57	160	143	382	274	67	33.5
21217	2-1/2	55	105	70.0	267	66.5	184	145	453	327	79.5	44.61
21218	3	85	127	82.5	330	76.0	200	165	546	365	92.0	70
21219	3-1/2	120	133	95.5	372	92.0	229	203	626	419	105	120
21220	4	150	140	108	368	104	254	229	653	468	116	153